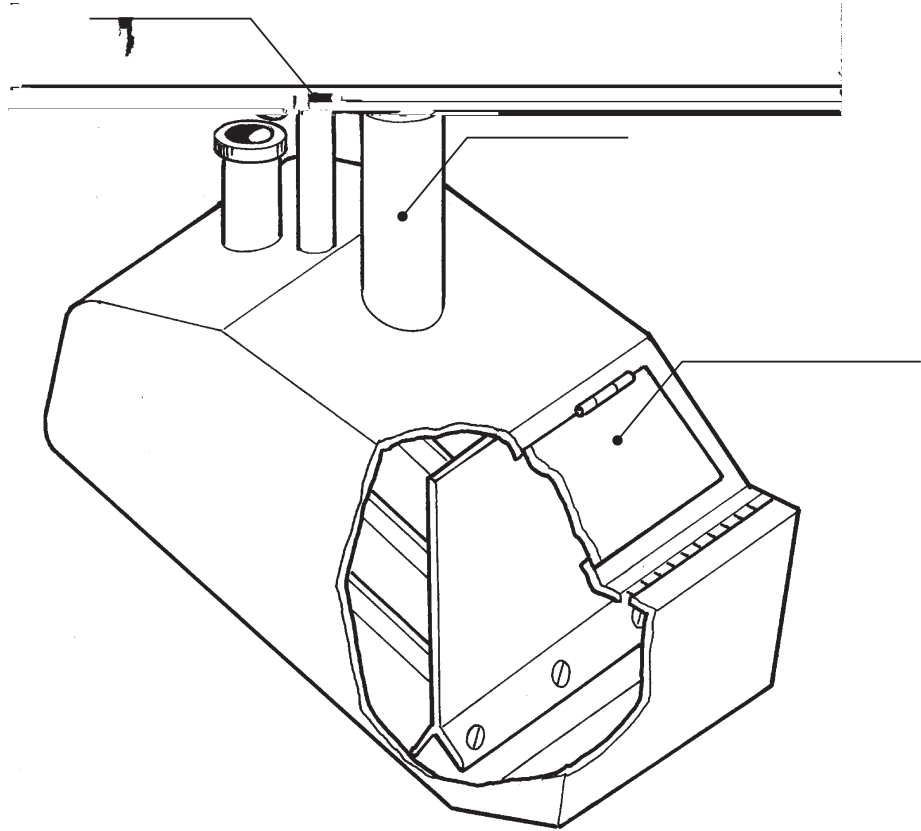




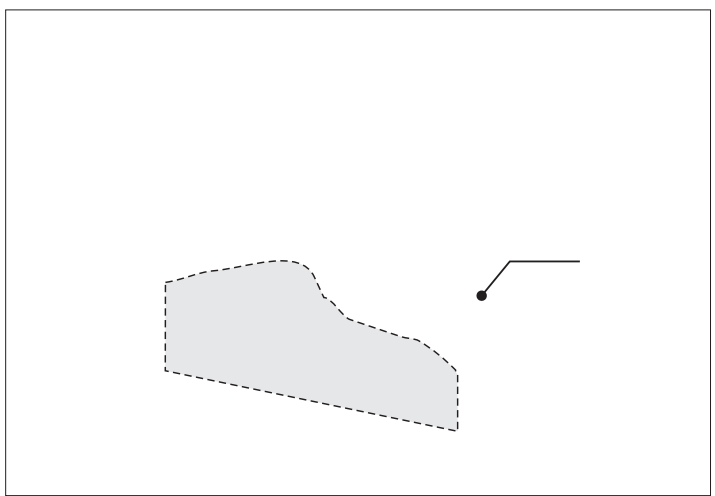
# C. 1.1.1.e

C. 1.1.1.e  
 This diagram shows a cross-section of a latrine pit with a concrete slab and a concrete apron. A drainage pipe is shown leading from the pit to a drainage system. The diagram illustrates the connection between the latrine and the drainage system.



F. 1.1.1.e

(Latrine superstructure not shown)





## Bibliography

References

---

**File** ...  
F ... R., P ... J. R ... R., *AG ... D ... t ... S ...*, WHO, G ..., 1992.  
P ... J ... L ... S ... A ... ITP ... L ..., 1995.

---

P B R R S